

**INSTRUCTIONS FOR INSTALLING A LEFT HAND OR RIGHT HAND LIGHT BRACKET  
ASSEMBLY AND DIFFUSER REPLACEMENT KIT IN ANY NATIONAL VENDORS®  
140-SHOWCASE MERCHANDISER**

These instructions cover the procedures for installing a Left Hand or Right Hand Light Bracket Assembly and Diffuser Replacement Kit in any 140-Showcase Merchandiser.

Read these instructions carefully and thoroughly before installing the Kit. Retain these instructions for part number and installation information.

The Left Hand (Hinge edge of Cabinet Door) Light Bracket Assembly and Diffuser Replacement Kit, Part Number 140-2106, contains the following parts:

Part Number	Description	Quantity
140-2024	L.H. Light Bracket Assembly	1
140-2057	Light Diffuser	1
613-1145	Canoe Clip	7
140-2108	Installation Instructions * * *	1

The Right Hand Light Bracket Assembly and Diffuser Replacement Kit, Part Number 140-2107, contains the following parts:

Part Number	Description	Quantity
140-2027	R.H. Light Bracket Assembly	1
140-2057	Light Diffuser	1
613-1145	Canoe Clip	7
140-2108	Installation Instructions * * *	1

**TO INSTALL THE KIT**

**A. PARTS REMOVAL**

1. Disconnect the Merchandiser Service Cord from the wall receptacle.
2. Unlock and open the Merchandiser Cabinet Door.
3. Disconnect the Left or Right Hand Light Bracket Assembly Harness from the Merchandiser Cabinet Door Harness. See Figure 1.
4. Remove the Fluorescent Lamp, Starter, and the Diffuser Tube from the Light Bracket Assembly. See Figure 1.

5. Disconnect the Light Bracket Harness from the Merchandiser Cabinet Door Harness. See Figure 1.
6. Remove the two clips attaching the Light Bracket Harness to the Light Bracket Assembly. See Figure 1. Retain these clips for use in Section B, INSTALLATION OF THE KIT.
7. Remove the two screws and nuts attaching the Starter Socket and Insulating Discs to the Light Bracket Assembly. See Figure 1. Retain these screws and nuts for use in Section B, INSTALLATION OF THE KIT.
8. Remove the two screws and nuts attaching the Fluorescent Lamp Socket and Insulating Disc to the Light Bracket Assembly. See Figure 1. Retain these screws and nuts for use in Section B, INSTALLATION OF THE KIT.
9. Remove the Light Bracket Harness, the Insulating Disc, the Starter Socket, and Fluorescent Lamp Socket. See Figure 1. Retain these parts for use in Section B, INSTALLATION OF THE KIT.

**WARNING**

Due to the closeness of the Upper Fluorescent Lamp and the Upper Light Shield caution should be used when twisting the Tabs on the Upper Light Shield.

**CAUTION**

Use care when twisting the Tabs on the Upper Light Shield to prevent the Tabs from being damaged.

10. Twist the Tabs on both ends of the Upper Light Shield so they are parallel with the Slots in the Light Bracket Assembly. See Figure 2, View A.
11. Remove the five screws attaching the Left or Right Hand Light Bracket Assembly to the Merchandiser Cabinet Door. Retain these screws for use in Section B, INSTALLATION OF THE KIT.
12. Remove the Light Bracket Assembly from the Merchandiser Cabinet Door. See Figure 1.
13. Remove the Upper Light Shield from the Light Bracket Assembly. See Figure 2.

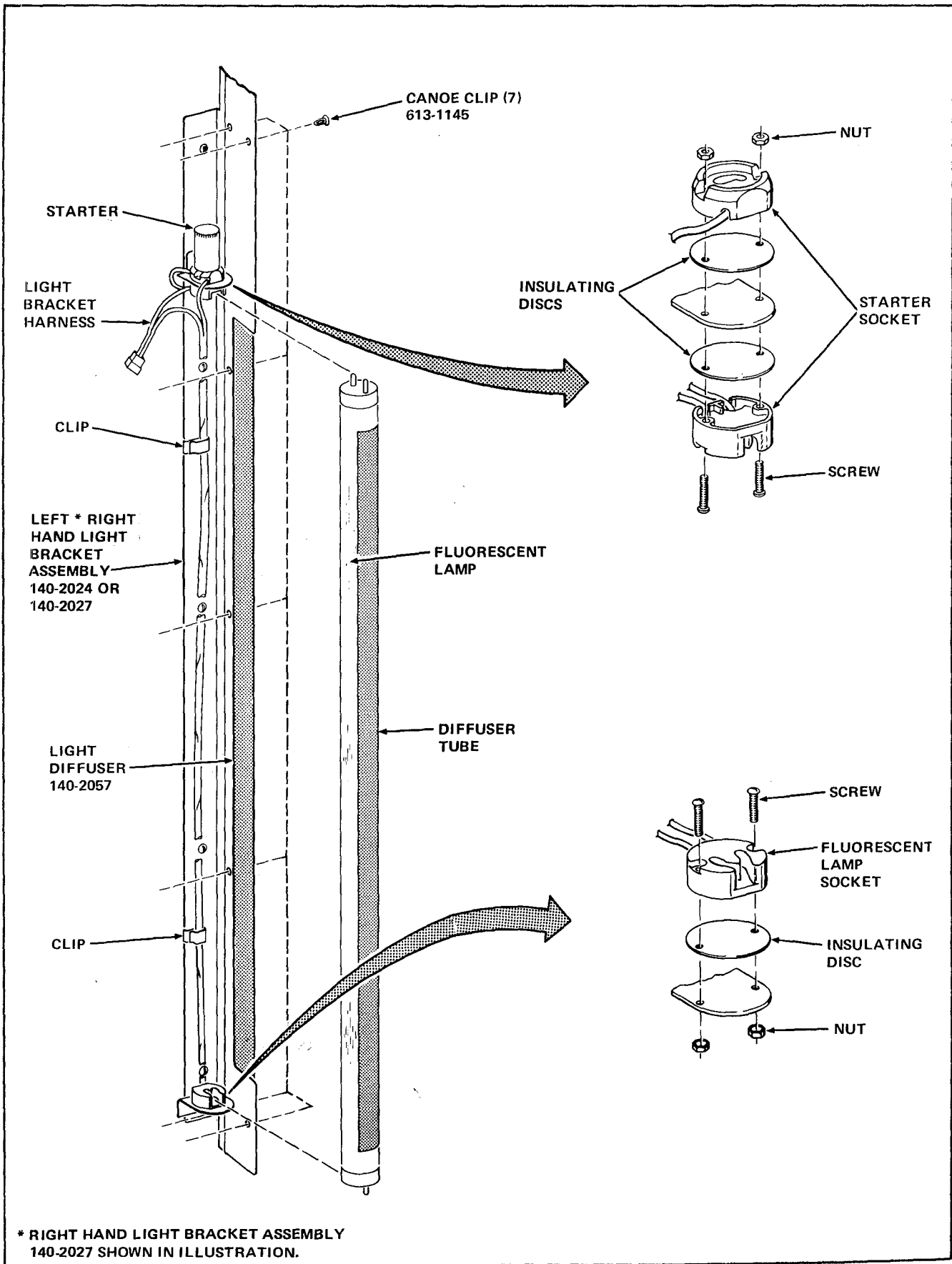
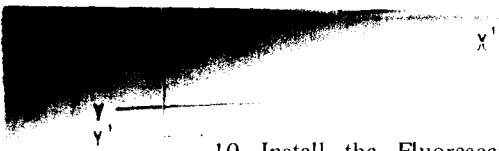


FIGURE 1

- 
10. Install the Fluorescent Lamp, Starter and the Diffuser Tube in the replacement Left or Right Hand Light Bracket Assembly. See Figure 1.
  11. Connect the replacement Left or Right Hand Light Bracket Assembly Harness to the Merchandiser

Cabinet Door Harness. See Figure 1.

12. Close and lock the Merchandiser Cabinet Door.
13. Connect the Merchandiser Service Cord to the properly polarized wall receptacle.

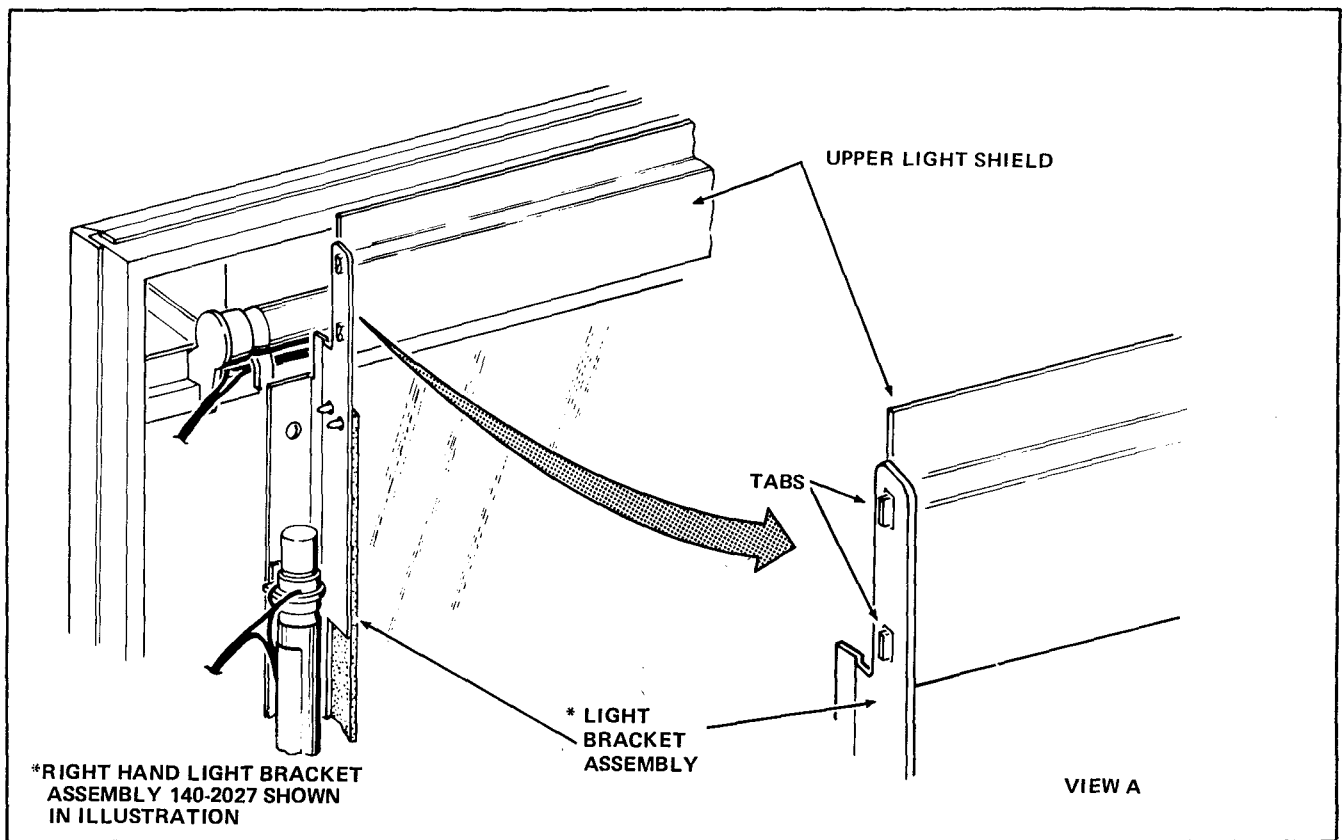


FIGURE 2

B. INSTALLATION OF THE KIT

1. Insert the Tabs on the Upper Light Shield into the Slots of the Light Bracket Assembly that is still attached to the Merchandiser Cabinet Door and into the Slots of the replacement Left or Right Hand Light Bracket Assembly, Part Number 140-2024 or 140-2027, included in the Kit.
2. Install the replacement Left or Right Hand Light Bracket Assembly and attach it to the Merchandiser Cabinet Door with the five screws removed in Section A, PARTS REMOVAL.

**WARNING**

Due to the closeness of the Upper Fluorescent Lamp and the Upper Light Shield caution should be used when twisting the Tabs on the Upper Light Shield.

**CAUTION**

Use care when twisting the Tabs on the Upper Light Shield to prevent the Tabs from being damaged.

3. Twist the Tabs on both ends of the Upper Light Shield at an angle large enough to retain the Left and Right Hand Light Bracket Assembly. See Figure 2.

4. Align the seven holes in the replacement Light Diffuser, Part Number 140-2057, included in the Kit, with the seven holes in the replacement Left or Right Hand Light Bracket Assembly. See Figure 1.
5. Insert a Canoe Clip, Part Number 613-1145, included in the Kit, through each of the seven holes in the replacement Light Diffuser and through the seven holes in the replacement Left or Right Hand Light Bracket Assembly. See Figure 1.
6. Attach the Starter Socket and Insulating Discs to the replacement Left or Right Hand Light Bracket Assembly with the two screws and nuts retained in Section A, PARTS REMOVAL. See Figure 1.
7. Attach the Fluorescent Lamp Socket and Insulating Disc to the replacement Left or Right Hand Light Bracket Assembly with the two screws and nuts retained in Section A, PARTS REMOVAL. See Figure 1.
8. Attach the Light Bracket Harness to the replacement Left or Right Hand Light Bracket Assembly with the two clips retained in Section A, PARTS REMOVAL. See Figure 1.
9. Connect the Light Bracket Harness to the Merchandiser Cabinet Door Harness. See Figure 1.